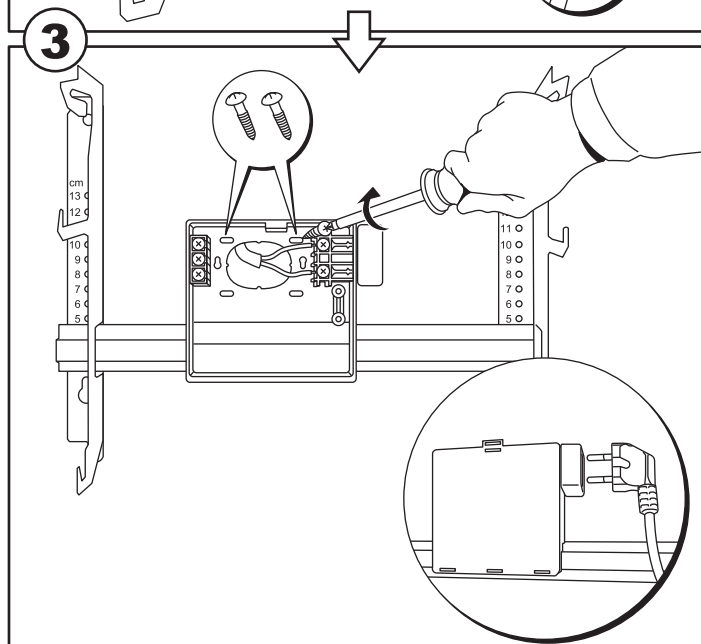
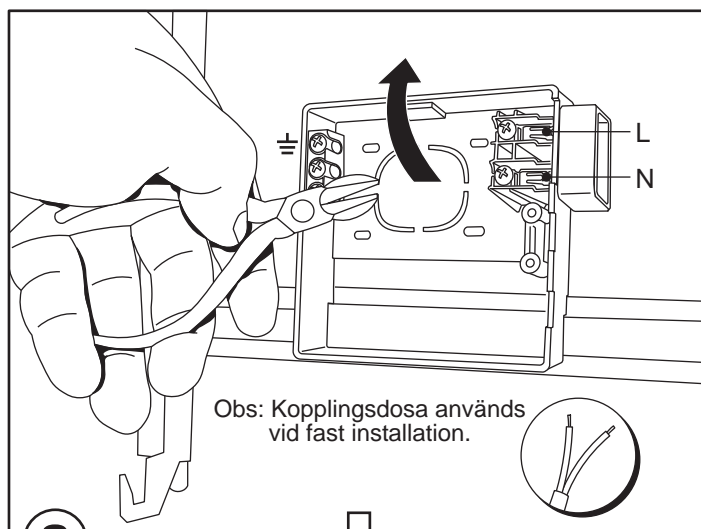
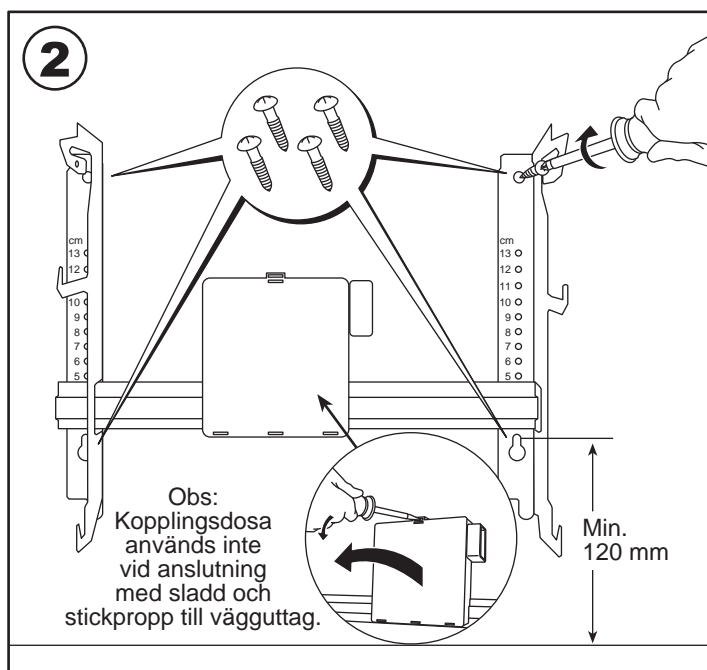
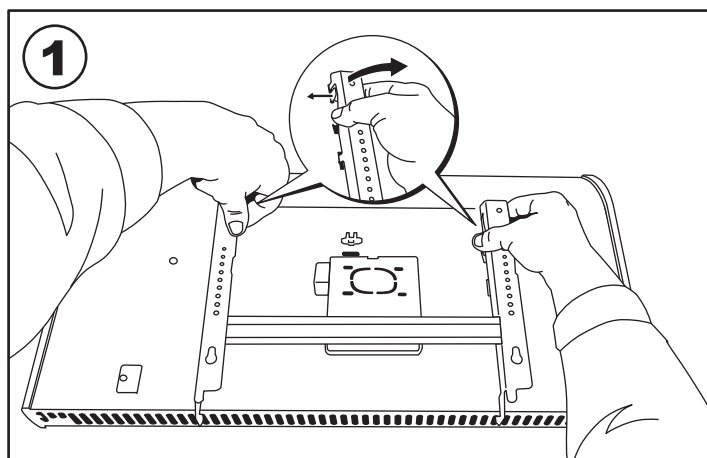
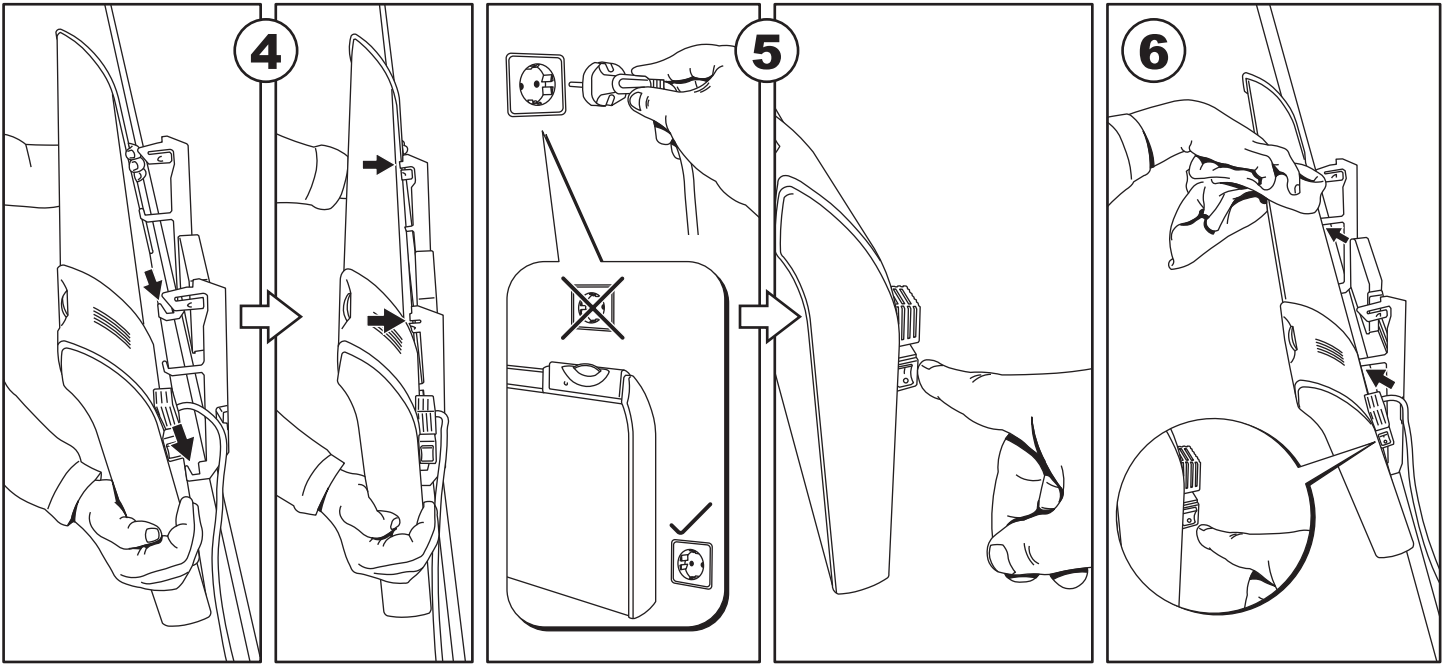


VPP / VPVP		VPP/VPVP		Watt	B	A	C	D
	VPP/VPVP 04	400	116	202	185	503		
	VPP/VPVP 06	600	163	302	186	651		
	VPP/VPVP 08	800	253	302	258	813		
	VPP/VPVP 10	1000	185	605	185	975		
	VPP 12	1200	230	605	230	1065		
	VPP 15	1500	375	605	375	1355		
VPP 20	2000	230	1198	241	1669			

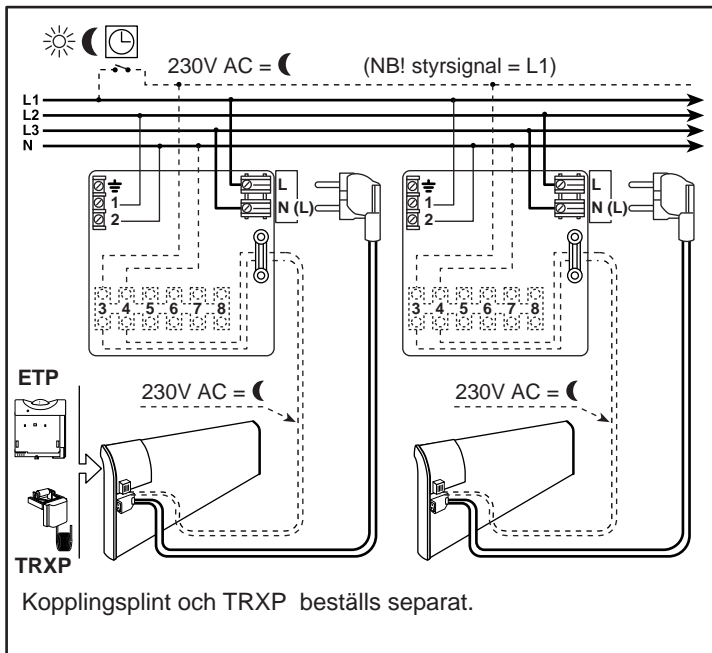
VLP		VLP		Watt	B	A	C	D
	VLP 03	250	105	202	177	484		
	VLP 05	500	252	302	250	804		
	VLP 07	750	219	605	225	1049		
	VLP 10	1000	409	605	415	1429		
	VLP 14	1400	275	1198	217	1743		

VPP60/VPVP60		VPP60/VPVP60		Watt	B	A	C	D
	VPP60/VPVP60 04	400	253	302	258	813		
	VPP60/VPVP60 06	600	230	605	230	1065		
	VPP60/VPVP60 08	800	230	1198	241	1669		
	VPP60/VPVP60 10	1000	230	1198	241	1669		





400 volt - diagram



Produced by Adax as - <http://www.adax.no>

Adax orders office:
 Tel: +47 33 77 17 55 / 33 77 17 57
 Fax: +47 33 77 17 78

Service:
 Tel: +47 33 77 17 92

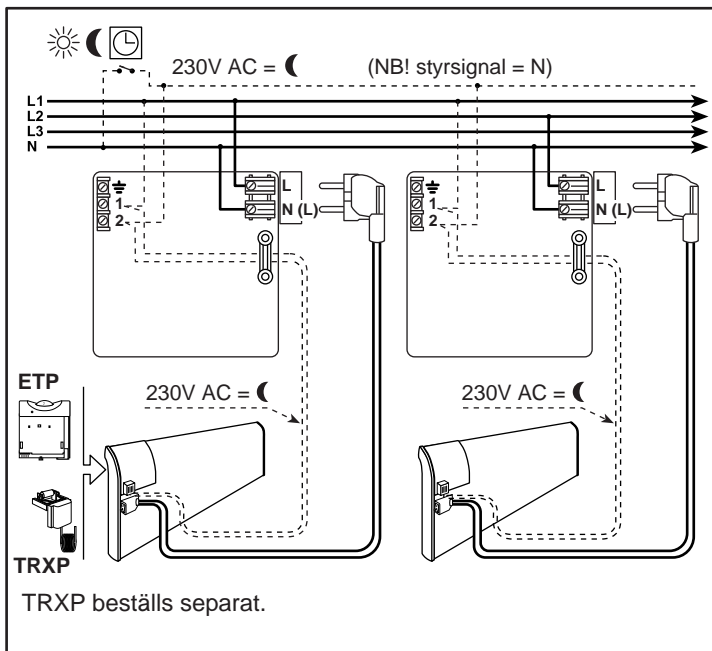
Switchboard:
 Tel: +47 33 77 17 50
 Fax: +47 33 77 17 51

Postal address:
 P.O. box 38
 N-3061 Svelvik
 Norway

Adax Sverige:
 Irisvägen 14, 291 50 Kristianstad
 Tel / Fax +46 44 12 91 41
 Mobil: +46 702 52 91 41
 maths.hallin@adax.no

Korsbandgatan 44, 703 78 Örebro
 Tel / fax: +46 19 20 08 12
 Mobil: +46 703 42 91 41
 jennie.ring@adax.no

230 volt - diagram



230 volt - diagram

