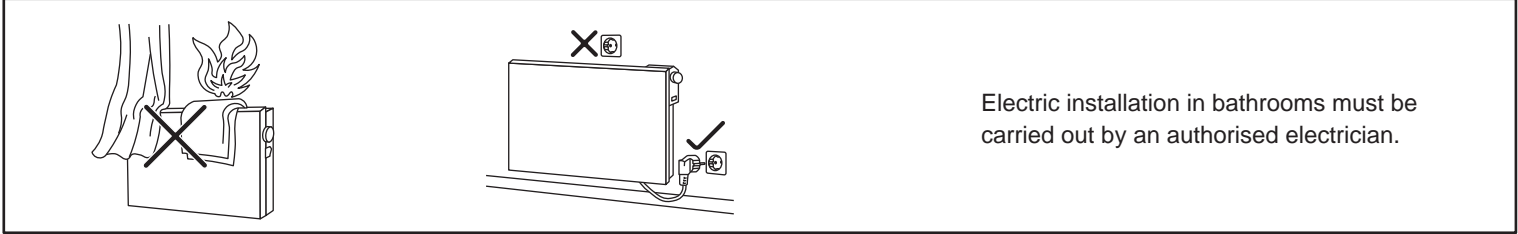
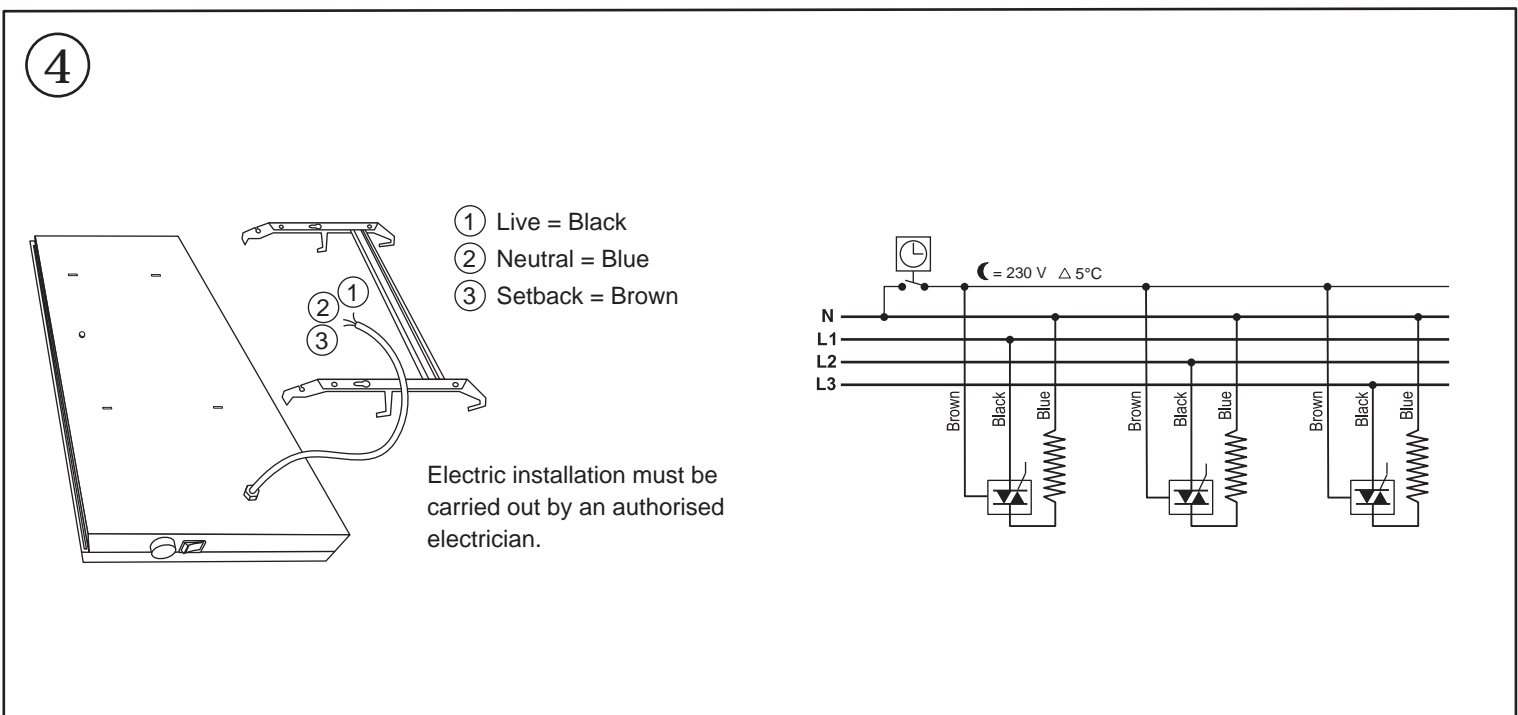
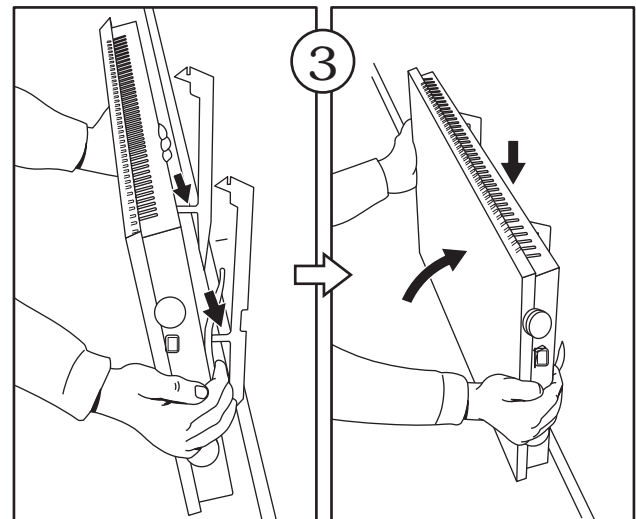
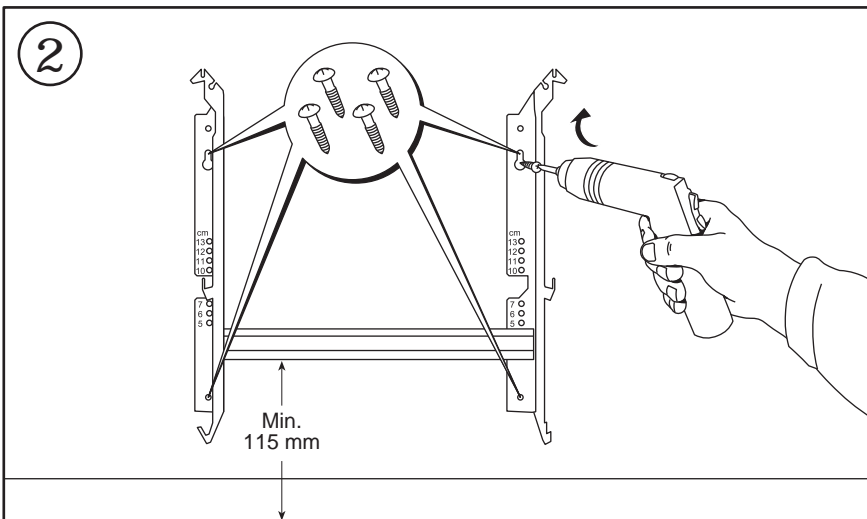
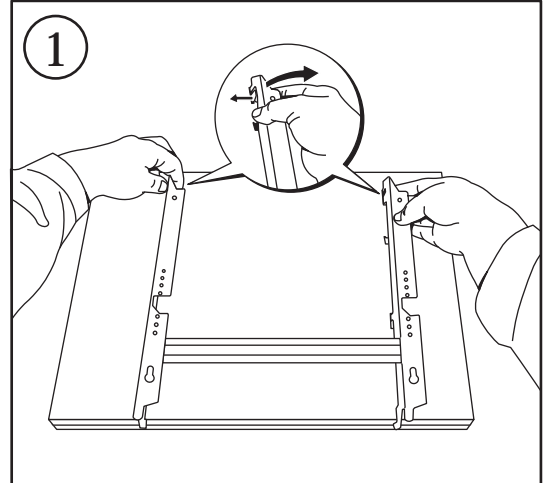
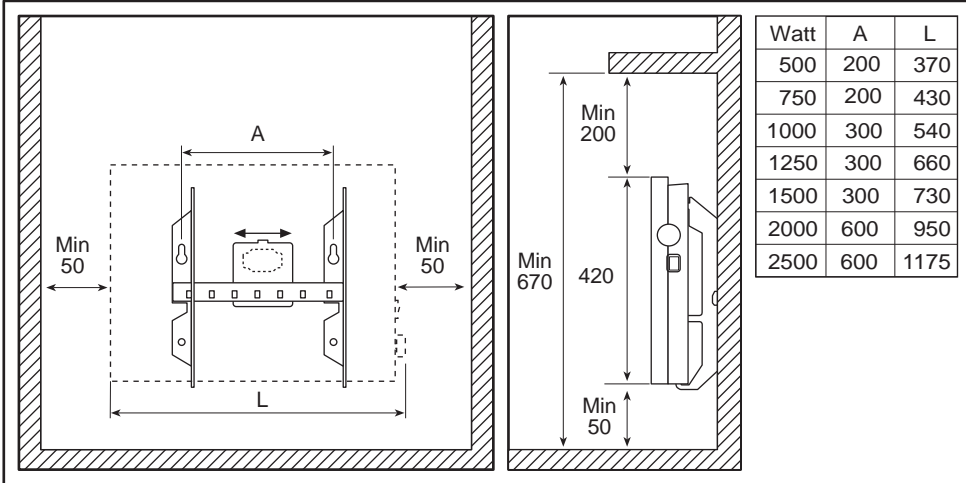


VP11 ETN 230 Volt ~ , IP 24C , Class II

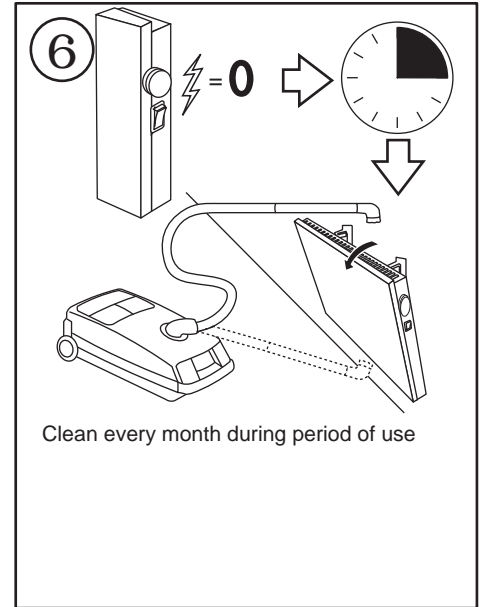
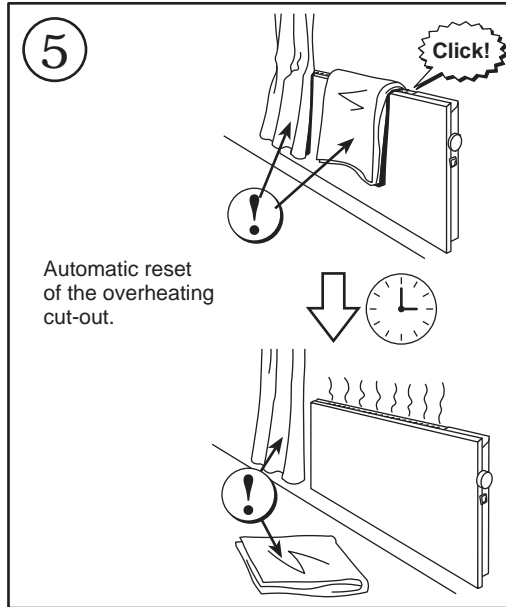
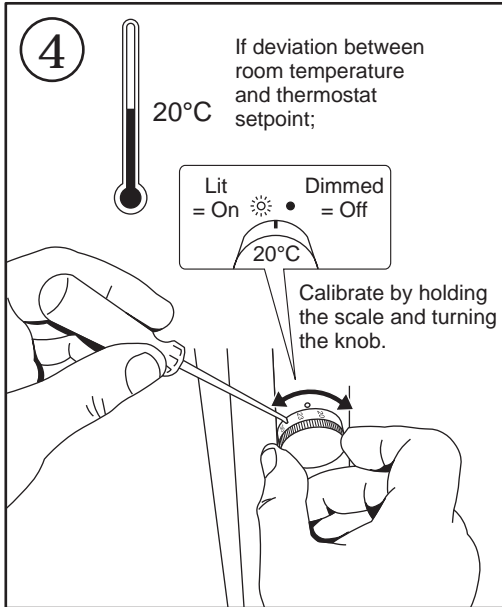
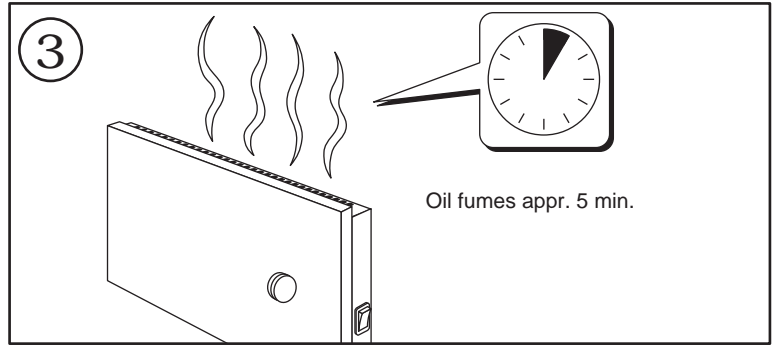
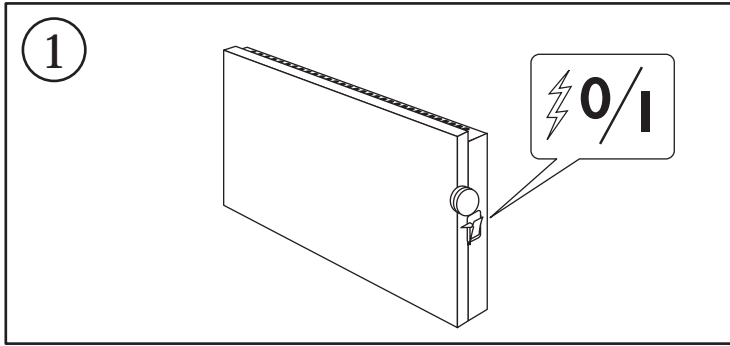
print # 62233
060509



Electric installation in bathrooms must be carried out by an authorised electrician.



VP11 ETN 230 Volt ~ , IP 24C, Class II



The appliance is not intended for use by persons (including children) with reduced physical, sensory or mental capabilities, or lack of experience and knowledge, unless they have been given supervision or instruction concerning the use of the appliance by a person responsible for their safety

Children should be supervised to ensure they do not play with the appliance

If the supply cord is damaged, it must be replaced by the manufacturer, its service agent or similarly qualified persons in order to avoid a hazard